

LED Heated and Non Heated Work Lights - Model 670 XD

PRODUCT INFORMATION

Description	12-110V Non-Heated LED Work Light with Trapezoid Beam Pattern
Height	162.31 mm / 6.39 in
Width	123.95 mm / 4.88 in
Depth	52.58 mm / 2.07 in
Shape	Round
Outer Lens Material	Polycarbonate
Outer Lens Color	Clear
Housing Material	Polycarbonate
Housing Color	Black
Mounting Hardware Description	(x1) M8-1.25 x 20mm Mounting Bolt
Mounting Type	Universal Pedestal Mount
Minimum Operating Temperature	-40 °C / -40 °F
Maximum Operating Temperature	65 °C / 149 °F
Connector or Wiring	Integrated 2-Pin Deutsch Weather-Proof Socket (DT04-2P)
Mating Connector	2-Pin Deutsch Weather-Proof Plug (DT06-2S)
Product Weight	1.52 lbs / 0.69 kgs
Shipping Weight	3.00 lbs / 1.36 kgs



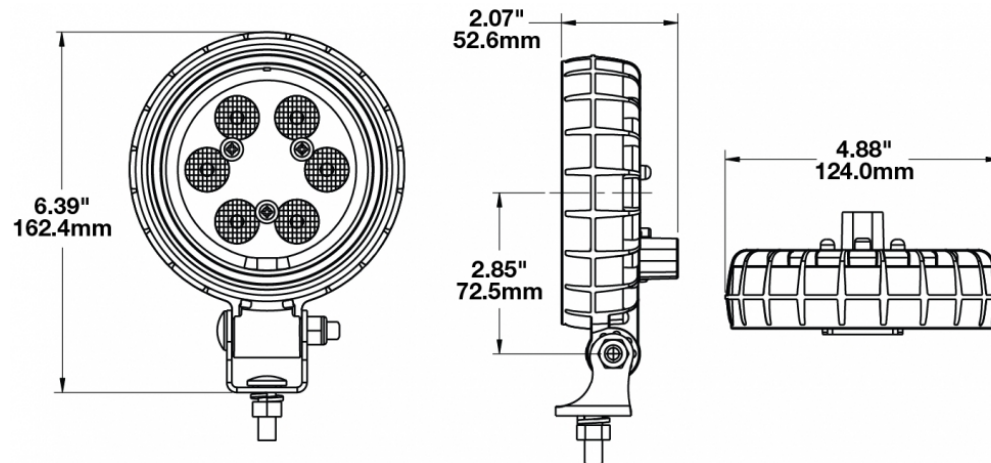
Print date: 2024-08-11

© 2024 J.W. Speaker Corporation • Germantown, WI U.S.A.
 www.jwspeaker.com • speaker@jwspeaker.com • 262.251.6660

J.W. SPEAKER 
 Engineered. Lighting. Solutions.

LED Heated and Non Heated Work Lights - Model 670 XD

PRODUCT DIMENSIONS



ELECTRICAL SPECIFICATIONS

Input Voltage	12-110V DC
Operating Voltage	10-130V DC
Transient Spike Protection	330V Peak @ 1 HZ-100 Pulses
Red Wire	Positive
Black Wire	Negative
Current Draw	1.3A @ 12V DC 0.6A @ 24V DC 0.2A @ 110V DC

Print date: 2024-08-11

© 2024 J.W. Speaker Corporation • Germantown, WI U.S.A.
www.jwspeaker.com • speaker@jwspeaker.com • 262.251.6660

LED Heated and Non Heated Work Lights - Model 670 XD

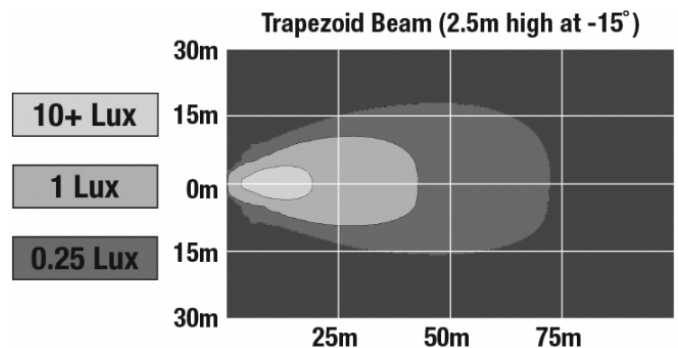
REGULATORY STANDARDS COMPLIANCE



Buy America Standards	CISPR 12
CISPR 22	Eco Friendly
IEC IP69K	SAE J1113-13
Tested to ECE Reg. 10 (Radiated Emissions only)	UL Recognized

PHOTOMETRIC SPECIFICATIONS

Raw Lumen Output	1,080
Effective Lumen Output	780
Nominal LED Color Temperature	5000 K
Beam Pattern(s)	Forward Lighting - Trapezoid



APPLICATIONS



Print date: 2024-08-11

© 2024 J.W. Speaker Corporation • Germantown, WI U.S.A.
 www.jwspeaker.com • speaker@jwspeaker.com • 262.251.6660



LED Heated and Non Heated Work Lights - Model 670 XD

PRODUCT WARNINGS

For California residents:

⚠ **WARNING:** Cancer and reproductive harm - www.P65Warnings.ca.gov.

⚠ **AVERTISSEMENT:** Cancer et effet nocif sur la reproduction - www.P65Warnings.ca.gov.

ACCESSORIES



Part Number
8200101
Stainless Steel
Mounting Kit for Work
Lights & Marine Lights



Part Number
8200011
Magnet Mount Kit for
XD Series Work Lights



Part Number
8200491
Mounting Kit For Work
Lights

LED Heated and Non Heated Work Lights - Model 670 XD

RELATED PRODUCTS



Part Number
1403241

12-24V Non-Heated
LED Work Light with
Flood Beam Pattern



Part Number
1403251

12-24V Non-Heated
LED Work Light with
Trapezoid Beam
Pattern



Part Number
1403261

12-24V Non-Heated
LED Work Light with
Spot Beam Pattern



Part Number
1403281

12-110V Non-Heated
LED Work Light with
Spot Beam Pattern



Part Number
1403291

12-110V Non-Heated
LED Work Light with
Flood Beam Pattern



Part Number
1403471

12-24V LED Heated
Work Light with Flood
Beam Pattern



Part Number
1403481

12-24V LED Heated
Work Light with Spot
Beam Pattern



Part Number
1403491

12-24V LED Heated
Amber Work Light with
Flood Beam Pattern